



INSTALLATION INSTRUCTIONS BOLT-ON ENGINE OIL ADAPTER - GM V8 PART # 35760 & 35762

Please read these instructions completely before beginning installation

KIT CONTENTS

QTY.	DESCRIPTION	QTY.	DESCRIPTION
1	Bolt-on Engine Oil Adapter	2	1/4"-20 x 2 1/4" Bolts
1	4" O-ring	2	5/16"-18 x 2 1/4" Bolts
1	1 1/2" X-ring	2	1/4" Washers
2	1/4" X-ring	2	5/16" Washers
2	5/16" X-ring		

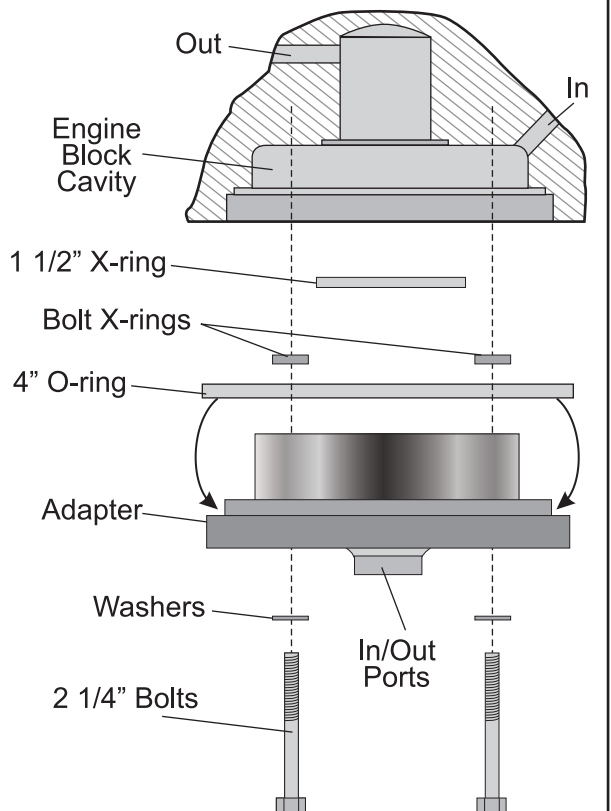
TOOLS NEEDED

Ratchet
Hex Key Set
Thread Sealant Tape

INSTALLATION

1. Remove filter shell (with cartridge) from engine and discard.
2. Remove the two bolts holding the By-Pass Valve Assembly in the engine block. Remove assembly and old gasket. Discard all OE components.
3. Install new O-ring around outside of Bolt-on Engine Oil Adapter.
4. Determine which size bolts fit into the engine block.
5. Install Bolts (1/4" or 5/16" to match engine bolt hole size) with washer into adapter (1/4" or 5/16" to match bolt size). Add Bolt X-ring over Bolts (5/16" or 1/4" to match bolt size). (Diagram # 1)
6. Add 1 1/2" X-ring to O-ring landing.
7. Apply a thin coat of engine oil to the O-ring.
8. Holding the assembly together, carefully insert into engine block cavity and tighten bolts equally until hand tight. Then tighten each bolt one turn with wrench. (Note: Max. Torque 8ft. Lbs.)
9. Before running engine double check all line connections and add sufficient oil.
10. Run engine (just above idle) for 5 minutes and check for leaks. Recheck oil level.

Diagram #1



Warning: Installation of accessories should only be undertaken by those with mechanical knowledge and are familiar with working on vehicles. Always use eye protection (goggles, safety glasses or shield). Park the vehicle in a well lit area, on level ground and apply the parking brake. Only work on a cold vehicle that has been sitting overnight, failure to do so will result in severe burns and injury. Before starting the vehicle, make sure no tools or any other items are left under hood that could interfere with or be drawn into moving parts of the engine. Failure to follow instructions can lead to severe damage and personal injury.